

The product using material and processing must conform to the "WI-PZ-142"HSF technical standard control requirements

RoHS+HF

NOTES:

- MATERIAL:
 - HOUSING: THERMOPLASTIC HIGH TEMP. UL94V-0; COLOR: NATURAL.
 - COVER: THERMOPLASTIC HIGH TEMP. UL94V-0; COLOR: BLACK.
 - CONTACTS: COPPER ALLOY.
 - SOLDER TABS: COPPER ALLOY.
- FINISH:
 - CONTACTS:
 - 50U" MIN. NICKEL UNDERPLATED OVERALL. CONTACT AREA AND SOLDER TAIL: AU PLATED.
 - SOLDER TABS:
 - 50U" MIN. NICKEL UNDERPLATED OVERALL.
 - 80U" MIN. MATTE TIN PLATED.
- PACKAGE SPEC: 1500PCS/REEL.

FO801 16 F 9-1 XX 2 X X 01

SERIES NO: _____

HEIGHT: 16: 1.6mm

MALE FEMALE: _____

ANGLE: 9-90°

ROW NO: _____

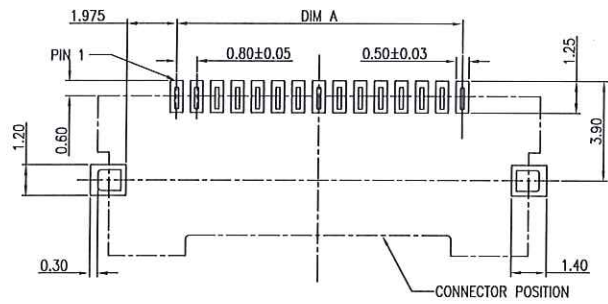
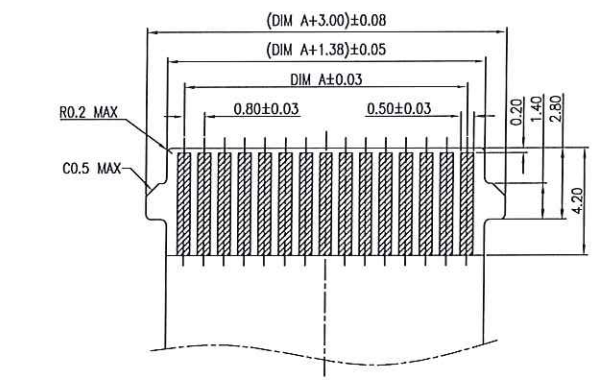
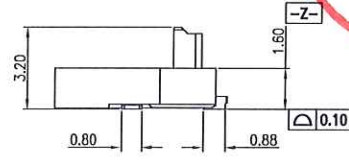
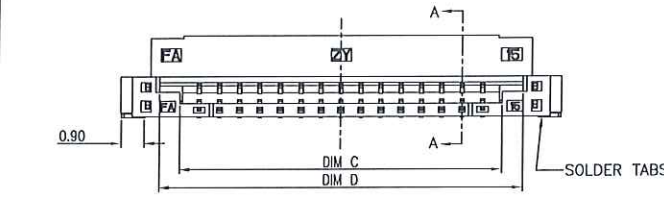
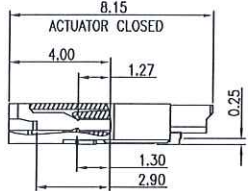
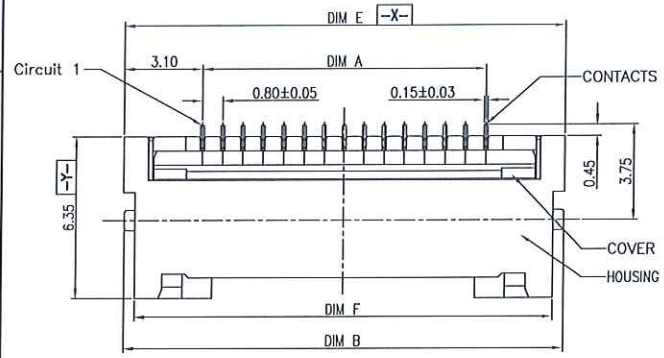
1-SINGLE ROW

COLOR: M-BEIGE K-WHITE S-NATURE

PLATING: A-ALL AU G/F 1-G/F C-BRIGHE TIN

TERMINOPOINT: 2-SMT

PIN Q'PY: 04~40



RECOMMENDED P.C.B. PATTERN LAYOUT
GENERAL TOLERANCE ±0.05

RECOMMENDED FPC/FPC DIMENSION
GENERAL TOLERANCE ±0.05

Ordering Information & Dimensions

Circuit	DIM A	DIM B	DIM C	DIM D	DIM E	DIM F
04	2.40	8.55	3.93	5.55	8.60	7.70
05	3.20	9.35	4.73	6.35	9.40	8.50
06	4.00	10.15	5.53	7.15	10.20	9.30
07	4.80	10.95	6.33	7.95	11.00	10.10
08	5.60	11.75	7.13	8.75	11.80	10.90
09	6.40	12.55	7.93	9.55	12.60	11.70
10	7.20	13.35	8.73	10.35	13.40	12.50
11	8.00	14.15	9.53	11.15	14.20	13.30
12	8.00	14.95	10.33	11.95	15.00	14.10
13	9.60	15.75	11.13	12.75	15.80	14.90
14	10.40	16.55	11.93	13.55	16.60	15.70
15	11.20	17.35	12.73	14.35	17.40	16.50
16	12.00	18.15	13.53	15.15	18.20	17.30
17	12.80	18.95	14.33	15.95	19.00	18.10
18	13.60	19.75	15.13	16.75	19.80	18.90
19	14.40	20.55	15.93	17.55	20.60	19.70
20	15.20	21.35	16.73	18.35	21.40	20.50
21	16.00	22.15	17.53	19.15	22.20	21.30
22	16.80	22.95	18.33	19.95	23.00	22.10
23	17.60	23.75	19.13	20.75	23.80	22.90
24	18.40	24.55	19.93	21.55	24.60	23.70
25	19.20	25.35	20.73	22.35	25.40	24.50
26	20.00	26.15	21.53	23.15	26.20	25.30
27	20.80	26.95	22.33	23.95	27.00	26.10
28	21.60	27.75	23.13	24.75	27.80	26.90
29	22.40	28.55	23.93	25.55	28.60	27.70
30	23.20	29.35	24.73	26.35	29.40	28.50
31	24.00	30.15	25.53	27.15	30.20	29.30
32	24.80	30.95	26.33	27.95	31.00	30.10
33	25.60	31.75	27.13	28.75	31.80	30.90
34	26.40	32.55	27.93	29.55	32.60	31.70
35	27.20	33.35	28.73	30.35	33.40	32.50
36	28.00	34.15	29.53	31.15	34.20	33.30
37	28.80	34.95	30.33	31.95	35.00	34.10
38	29.60	35.75	31.13	32.75	35.80	34.90
39	30.40	36.55	31.93	33.55	36.60	35.70
40	31.20	37.35	32.73	34.35	37.40	36.50



REV.	REVISION RECORD	DATE	GENERAL TOLERANCES	SCALE:	NAME	DATE	PART.NO:	DWG.NO:
A0			LINEAR	1:1			FO80116F9-1XX2XX01	ENDE05
			0.0±0.35	APPROVED	2024.11.27			
			X°REF±6°	DESIGNER	2024.11.27			
			UNIT:mm	0.00±0.25	X°±3°		TITLE:	
			SIZE: A4	0.000±0.10	X'X' ±2'		0.8PITCH H=1.6 FPC BACK-FLIP R/A TYPE1 SMT CONN	



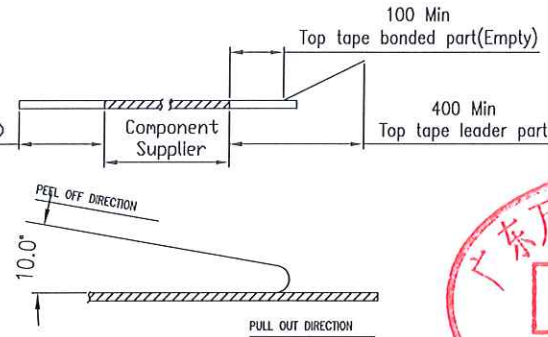
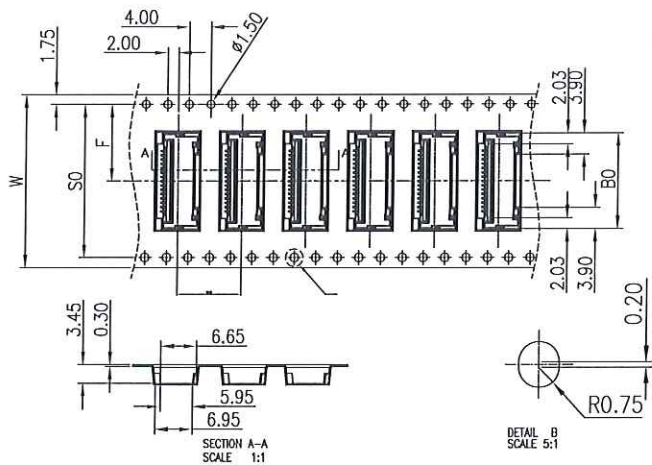
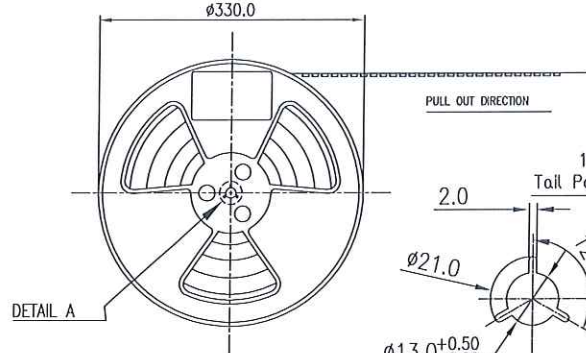
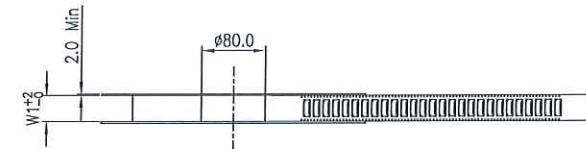
REV: A0 SHEET: 1/2

The product using material and processing must conform to the "WI-PZ-142"HSF technical standard control requirements

RoHS+HF

NOTES:

1. 10 SPROCKET HOLE PITCH CUMULATIVE TOLERANCE.±0.20mm
2. CARRIER CAMBER NOT TO EXCEED 1mm IN 250mm.
3. ALL DIMENSIONS MEET EIA-481-D REQUIREMENTS.
4. MATERIAL: BLACK ANTI-STATIC POLYSTYRENE.
5. THICKNESS: 0.30 ± 0.05 mm.
6. PACKING LENGTH PER 13" REEL: 18.60METERS.
7. COMPONENT LOAD PER 13" REEL: 1500PCS
8. PEELING OFF FORCE OF TOP TAPE 0.1N~0.7N(10.2gf~71.4gf).



Circuit	B0±0.10	W	W1	F	S0±0.10
1	8.90	16±0.3/-0	16.4	7.5±0.10	单边孔
5	9.70				
6	10.50				
7	11.30				
8	12.10				
9	12.90				
10	13.70				
11	14.50				
12	15.30				
13	16.10	24±0.3/-0	24.4	11.5	
14	16.90				
15	17.70				
16	18.50				
17	19.30	32±0.30	32.4	14.2±0.10	28.4
18	20.10				
19	20.90				
20	21.70				
21	22.50				
22	23.30				
23	24.10				
24	24.90				
25	25.70	44±0.30	44.4	20.2±0.15	40.4
26	26.50				
27	27.30				
28	28.10				
29	28.90				
30	29.70				
31	30.50				
32	31.30				
33	32.10				
34	32.90				
35	33.70	52±0.30	52.4	26.2±0.15	52.4
36	34.50				
37	35.30				
38	36.10				
39	36.90				
40	37.70				

REV.	REVISION RECORD	DATE	GENERAL TOLERANCES	SCALE: 1:1	NAME	DATE	PART.NO:	DWG.NO:
A0			LINEAR	APPROVED	张子强	24.11.27	F080116F9-1XX2XX01	ENDE05
			ANGLES	DESIGNER	李强	24.11.27	TITLE:	
			0.0±0.35	DRAWN	黄碧娟	24.11.27	0.8PITCH H=1.6 FPC BACK-FLIP R/A TYPE1 SMT CONN	
			0.00±0.25					
			0.00±0.10					



REV: A0 SHEET: 2/2